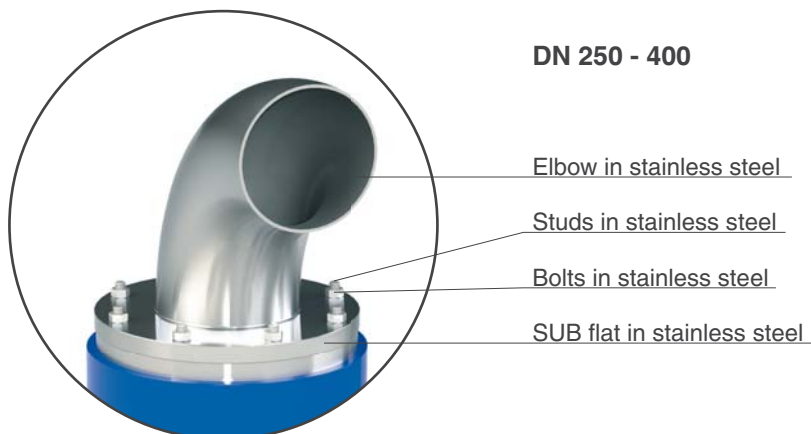
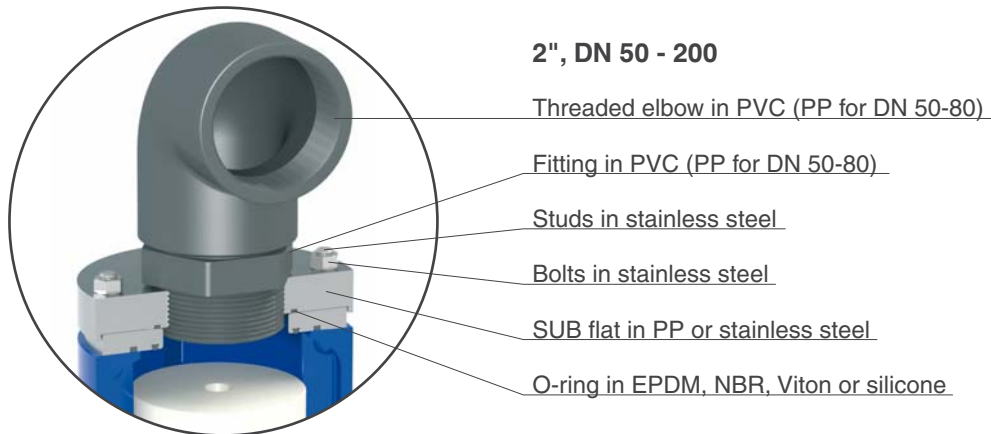


# LYNX air valves range conveyance system bias kit - Mod. SUB

The air conveyance system SUB, provided with watertight threaded elbow for submerged applications, has been created to be retrofitted on existing DNS LYNX air valves or as a standalone version. The design sprang from the necessity of having an air valve performing also in case of flood, without the risk of contaminated water entering the pipeline. Another benefit of SUB is the possibility of conveying spurts coming from the rapid closure of the air valve.



## Technical data

### Working conditions

Treated water max. 60°C.  
Max. pressure 40 bar.  
Min. pressure 0,2 bar.  
Lower on request.

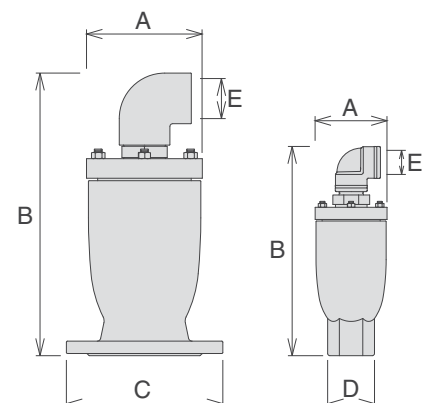
### Standard

Designed in compliance with EN-1074/4 and AWWA C-512.  
Flanges according to EN 1092/2 or ANSI 150.  
Epoxy painting applied through fluidized bed technology blue RAL 5005.  
Changes on flanges and painting on request.

### Weights and dimensions

CONNECTION inch/mm	A mm	B mm	C mm		D mm	E inch	Weight Kg
Threaded 2"	105	293	-	-	CH 70	1"	4,8
Flanged 50	105	298	165	-	-	1"	6,8
Flanged 65	105	298	185	-	-	1"	7,6
Flanged 80	128	395	210	205	-	2"	10,8
Flanged 100	158	420	235	220	-	2" 1/2	13,8
Flanged 150	192	474	305	285	-	3"	23,0
Flanged 200	272	648	375	340	-	4"	55,0
Flanged 250	359	828	450	405	-	6"	108,5
Flanged 300	414	1047	515	455	-	8"	140,0
Flanged 350	492	1310	580	520	-	10"	270,5
Flanged 400	578	1510	620	580	-	12"	332,5

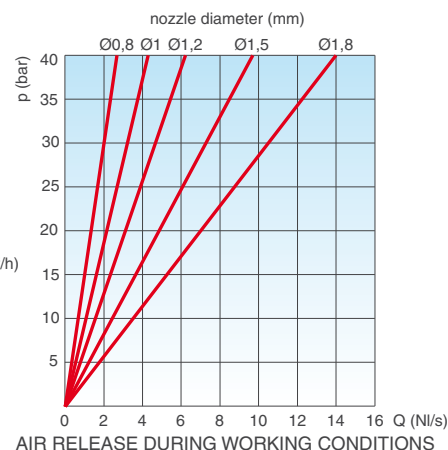
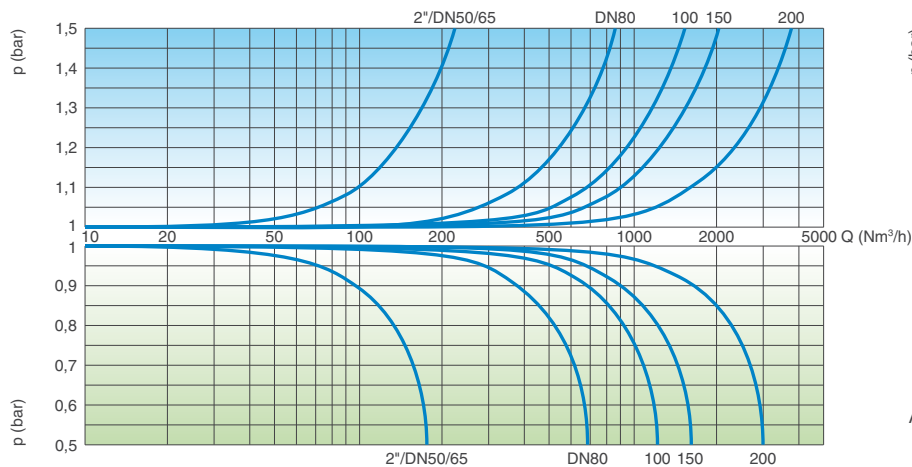
Approximate values. - Mod. SUB is stock available up to DN 200 mm, for larger sizes consult with DNS.



## Technical data

### LYNX SUB - Air flow performance charts

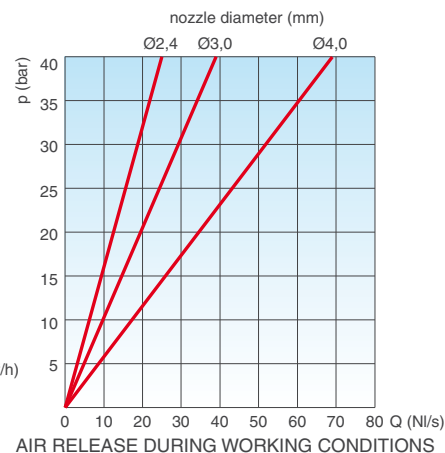
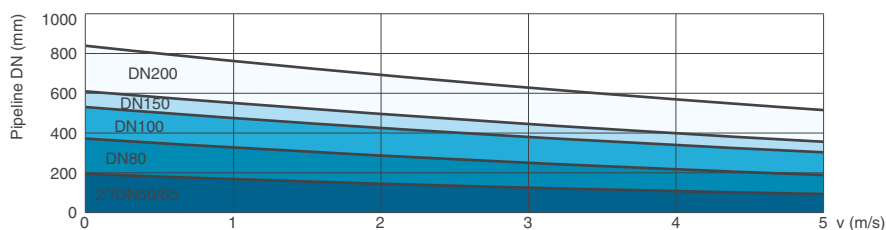
AIR DISCHARGE DURING PIPE FILLING



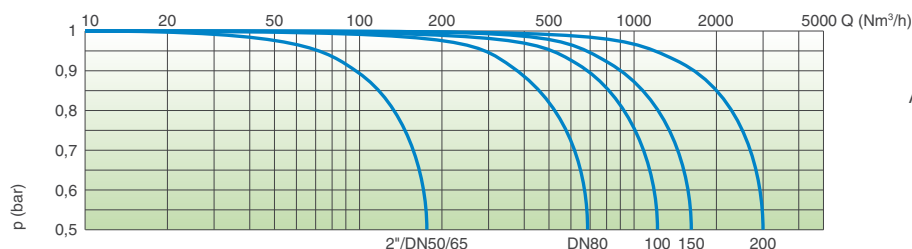
AIR ENTRANCE DURING PIPE DRAINING

### LYNX AS SUB - Air valve selection chart

Air valve preliminary sizing as a function of pipeline internal diameter and fluid flow velocity in m/s.



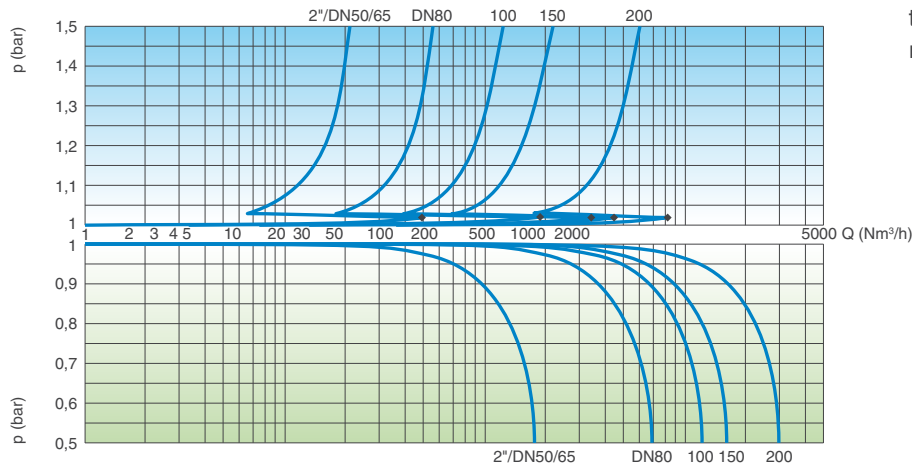
### LYNX AS SUB - Air flow performance chart



AIR ENTRANCE DURING PIPE DRAINING

### LYNX RFP SUB - Air flow performance charts

AIR DISCHARGE DURING PIPE FILLING



AIR ENTRANCE DURING PIPE DRAINING

The air flow charts were created in Kg/s from laboratory tests and numerical analysis, then converted in Nm³/h using a safety factor.

### Nozzle choice

For the nozzle choice make reference to the available technical data sheets of the relative LYNX models.